

Northern California



USA Owned. USA Made.



*Tile Neighborhood
Ponderosa & Malibu*

Table of Contents

Benefits Of A Tile Roof.....4

Tile Selection Reference & Sampling.....6

Cool Roofing Benefits & Reference.....7

Designer Series Colors8

Malibu.....12

Capistrano16

Boosted Capistrano20

Bel Air.....22

Golden Eagle.....26

Double Eagle Ponderosa27

Ponderosa28

Energy Saving Roof Solution32

Eagle Roof Accessories.....34

Choose Eagle Roofing Products.....36

Save With An Eagle Solar Roof.....37

Eagle Design Centers38

Helpful Tips, Installation, Legal.....39

Eagle is proud to be affiliated with these organizations:

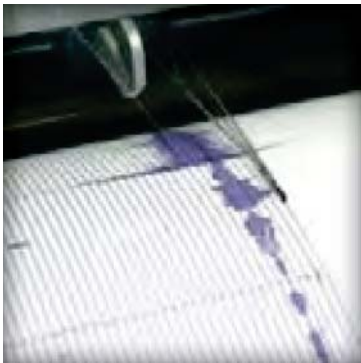
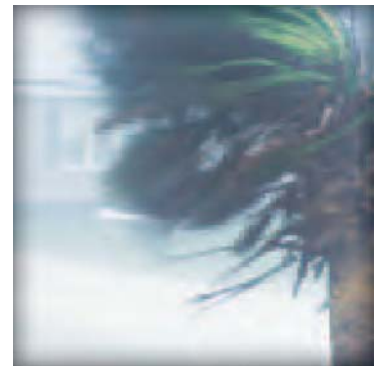


Tile Roofs Rise Above With Value, Durability And Beauty.

Eagle concrete tile roofs are as beautiful as they are durable. The available styles and colors help enhance any architecture, resulting in curb appeal that is simply not available with other roofing materials. Whether your interest is durability, color selection or energy efficiency, Eagle has a tile roof to suit your needs.

Affordability

A tile roof is one of the best ways to protect and beautify your home and is one of the longest-lasting roofing products you can buy. Unlike some other roofing materials, concrete tile is engineered to last for the life of the structure, giving it one of the lowest lifecycle costs of any roofing material. It's important to take this lifecycle cost into consideration, as the cost of a tile roof is quite affordable when compared to other materials.



Protection From The Elements

Tile has been around for centuries in some of the world's most inclement climates. And all of Eagle's roofing products have been thoroughly tested to provide superior performance and reliability. So your properly installed Eagle tile roof can withstand rain, snow, high wind and scorching heat, and provide years of worry-free performance.

- All Eagle roof tile is a Class A fire roof covering.
- Eagle roof tile meets current seismic load requirements.
- All Eagle standard weight color-thru tile passes Freeze-Thaw requirements.*

Reduced Insurance Costs

If you live in a region prone to fire, an Eagle tile roof may even provide a reduction in your insurance premiums. Check with your local insurance company for more details.

Industry-Best Warranty

Your Eagle tile roof warranty** protects residential and commercial structures; offering a transferable option when it comes time to sell. And Home Owner Associations qualify for our HOA, 50-year warranty.

*Slurry/Color-Bonded tiles are not recommended in areas that are subject to repeated freeze-thaw cycles. These are noted in the brochure with an asterisk next to the name.

**Warranty must be properly registered; and can be transferred one time.

Green From The Inside Out

Tile is an inherently green product, made from locally sourced materials and manufactured with the most advanced equipment and processes available.

- Eagle tile is composed of pre-consumer recycled content and environmentally friendly materials.
- Tile can be crushed and reintroduced into the manufacturing process, or reused for other applications – reducing the impact on landfills.
- Eagle roof tile can help to lower energy costs by reducing heat transfer through air circulation under the tile and because of concrete's inherent insulating properties.
- Eagle tile is Cool Roof Rated and compliant to codes and green building requirements. They will also provide increased energy performance for your home.***



Unmatched Beauty And Curb Appeal

Our products emulate historic roofing materials such as wood shake, clay and slate—but are much more affordable alternatives. Eagle offers a wide array of colors and styles designed to enhance any architectural style. Not only does your home benefit from improved energy efficiency and durability, it will enhance your curb appeal and resale value.

Discover Eagle. Discover American Made Quality.

We invite you to explore the styles and colors of Eagle products in this brochure, and we hope you will make Eagle your company of choice. We will do everything in our power to ensure that you become another satisfied Eagle customer.

An Eagle Tile Roof. The Choice Is Easy.

Eagle Profiles

Choose From A Variety Of Profiles Designed To Complement Any Architectural Style



Malibu



Capistrano



Estate



Bel Air



Golden Eagle



Double Eagle
Ponderosa



Ponderosa

Eagle Colors

Designer Series Colors – Uniquely Designed Color Palettes

For a roof with a distinctive look, choose from these color intense palettes that boast our most sophisticated blends. Our unique Designer Series colors can be found at the front of this brochure.



Cityscapes



Camino Real



American Heirloom

Eagle Star Price Category Reference

Throughout the product sections, you will see our star rating designations with each product. This has been developed to assist in your budgeting process. A single star denotes the most economical color choice, while three stars represents our richest blends and color schemes.

★ **Color-Bonded/Slurry*, Standards, Ranges & Blends**

★★ **Designer Series - Camino Real & Cityscapes and Specials**

★★★ **Designer Series - American Heirloom and Specials**

Choose An Eagle Concrete Tile Roof

We are confident you will find a tile roof to be your ideal choice for durability, energy-efficiency and beauty. Here are a few considerations to keep in mind when planning for your new tile roof:

Color & style choice – We recommend you make your final color selections from a current, full size tile sample, as colors can appear different in printed materials and online.

How to obtain a tile sample – You can visit our website or contact your local Design Center or Eagle Sales Representative. See this brochure or our website for locations near you.

See the product installed – Your local Design Center or Eagle Sales Representative is glad to provide you with local addresses to view installations of your profile/color choices.

*Slurry/Color-Bonded tiles are not recommended in areas that are subject to repeated freeze-thaw cycles. These are noted in the brochure with an asterisk next to the name. If you select a colorful or blended tile, make sure your installer blends your roof properly to avoid concentrations of color (called hot spots or checkboarding).

Is Your Roof Cool?

Cool Roof Rated products are listed with the Cool Roof Rating Council (www.coolroofs.org) and have been tested and approved as highly reflective. Eagle offers many different colors and profiles of Cool Roofing options, which can help reduce your energy costs by 10-30 percent. They also have environmental benefits as well, by reducing global warming and urban heat island effects, smog and the production of CO₂.

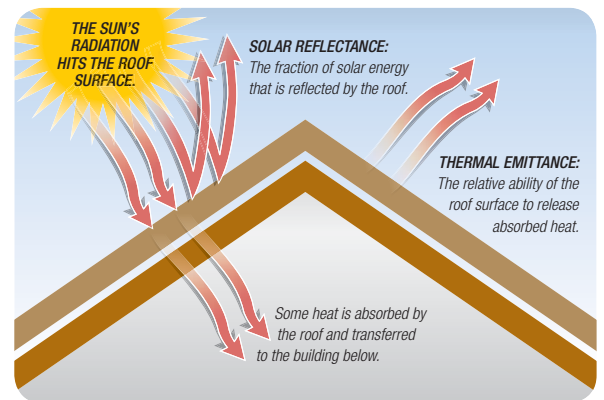
Here's How It Works:

A cool roof reflects and emits the sun's energy as light back to the sky, rather than transferring it to the building below it as heat. Therefore, a tile's "coolness" is measured by two properties:

Solar Reflectance – Fraction of sun energy reflected by roof (0-100%).

Thermal Emittance – Ability of roof surface to release (emit) absorbed heat (0-100%).

The recognition of the benefits are becoming more widespread and have been adopted by building codes and green building programs across the nation. You will see the following referenced for each of our Cool Roof colors throughout our brochure:



Cool Roof Rating Council, Energy Star, LEED and Title 24 Compliant

These ratings establish guidelines to measure and qualify roofing materials to industry green and energy standards and programs. The ratings are found under the product panel shots.

Ref = Reflectance – Fraction of sun energy reflected by roof (0-100%).

Emi = Emittance – Ability of roof surface to release (emit) absorbed heat (0-100%).

SRI = Solar Reflectance Index – Measure incorporating reflectance & emittance into a single value.

A-Ref = Aged Reflectance – Three year calculated (CEC) value.

A-Emi = Aged Emittance – Three year tested, at approved test lab. **Indicated as red value.**

A-SRI = Aged Solar Reflectance Index – Measure incorporating aged reflectance & emittance into a single value.

A-Ref, A-Emi & A-SRI will be indicated in red when product has 3-year testing (in red).

CRRC # = Product listing ID – Cool Roof Rating Council Product Identification number.



“According to the EPA, about \$40 billion is spent annually in the US to air condition buildings – one-sixth of all electricity generated in a year! ENERGY STAR qualified roof products reduce the amount of air conditioning needed in buildings and can reduce energy bills by up to 50%.”

Source: www.energystar.gov

Eagle Designer Series Colors

Our most sophisticated blends and color intense palettes are available in Capistrano, Malibu, Bel Air, Estate and Ponderosa profiles. Suitable for any new construction or remodeling project, Eagle's Designer Series Colors make a powerful statement and enhance any type of architecture. These unique blends will enhance your curb appeal and provide the look of traditional materials like shake, slate and clay.





American Heirloom

Rich blends combine subtle color variations to achieve a natural look.



SHC 8708 Del Oro Blend ★★★
Terracotta, Gold, Tan, Brown Blend
 Ref Emi SRI A.Ref A.SRI CRRC: 
 .14 .90 11 .16 14 0918-0075




SHC 8709 El Morado Blend ★★★
Terracotta, Burgundy Blend
 Ref Emi SRI A.Ref A.SRI CRRC: 
 .17 .88 14 .18 15 0918-0076



SHC 8710 Ladera Blend ★★★
Tan, Gray, Orange, Dark Brown Blend
 Ref Emi SRI A.Ref A.SRI CRRC: 
 .18 .89 16 .19 17 0918-0052




SHE 8704 Lehigh Blend ★★★
Natural Gray, Light Gray, Charcoal Blend
 Ref Emi SRI A.Ref A.SRI CRRC: 
 .13 .94 12 .15 15 0918-0046



SHE 8714 Esmont Blend ★★★
Gray, Taupe, Brown Blend



SHE 8715 Roanoke Blend ★★★
Light Gray, Dark Gray, Gold, Taupe Blend
 Ref Emi SRI A.Ref A.SRI CRRC: 
 .17 .89 15 .18 16 0918-0081




SHE 8773 Walnut Creek Blend ★★★
Gray, Tan, Orange, Dark Brown Blend
 Ref Emi SRI A.Ref A.SRI CRRC: 
 .20 .94 21 .20 21 0918-0037




SHE 9700 Bennington Blend ★★★
Green, Gray, Light Green, Charcoal Blend
 Ref Emi SRI A.Ref A.SRI CRRC: 
 .15 .92 14 .17 16 0918-0032



SHP 8706 Cascade Blend ★★★
Tan, Dark Brown Blend
 Ref Emi SRI A.Ref A.SRI CRRC: 
 .14 .90 11 .16 14 0918-0064



SHP 8707 Sierra Blend ★★★
Tan, Dark Brown, Reddish Brown Blend
 Ref Emi SRI A.Ref A.SRI CRRC: 
 .14 .90 11 .16 14 0918-0070

Camino Real



Capistrano - Camino Real
SMC 8403 Santa Barbara Blend



Camino Real

Authentic and rustic color schemes of clay without the premium cost.



SMC 8401 San Miguel Blend ★★
Dark Chocolate Brown, Taupe, Rosy Brown Blend



SMC 8402 Santa Cruz Blend ★★
Tan, Reddish Brown, Brown Blend
Ref Emi SRI A.Ref A.SRI CRRC:
.14 .89 11 .16 13 0918-0058



SMC 8403 Santa Barbara Blend ★★
Light, Dark Terracotta, Mauve, Dark Beige Blend
Ref Emi SRI A.Ref A.SRI CRRC:
.16 .89 13 .17 15 0918-0056



SMC 8404 San Juan Blend ★★
Peach, Tan, Terracotta Blend LEED†
Ref Emi SRI A.Ref A.EMI A.SRI CRRC:
.30 .85 30 .33 90 36 0918-0012



SMC 8822 San Buenaventura ★★
Clay Red
Ref Emi SRI A.Ref A.SRI CRRC:
.24 .87 23 .23 21 0918-0067





Cityscapes

Versatile and bold blends will add distinction to any roof.



*Bel Air – Cityscapes
SCB 8802 Nantucket Blend*



SCM 8806 Tuscon Blend ★★
Tan, Terracotta, Mauve Blend
Ref Emi SRI A.Ref A.SRI CRRC:
.20 .88 18 .20 18 0918-0085 



SCC 8829 Santa Fe Blend ★★
Orange, Maroon, Dark Brown, Terracotta Blend



SCC 8830 Albuquerque Blend ★★
Dark Brown, Terracotta, Maroon Blend
Ref Emi SRI A.Ref A.SRI CRRC:
.17 .90 15 .18 16 0918-0050 



SCB 8802 Nantucket Blend ★★
Terracotta, Tan, Brown Blend
Ref Emi SRI A.Ref A.SRI CRRC:
.14 .88 10 .16 13 0918-0065 




SCB 8805 Seattle Blend ★★
Green, Taupe, Gray Blend
Ref Emi SRI A.Ref A.SRI CRRC:
.15 .94 15 .17 17 0918-0036 



SCB 8827 Tacoma Blend ★★★
Brown, Gray, Taupe Blend
Ref Emi SRI A.Ref A.SRI CRRC:
.15 .92 14 .17 16 0918-0047 




SCP 8802 Nantucket Blend ★★
Terracotta, Tan, Brown Blend
Ref Emi SRI A.Ref A.SRI CRRC:
.14 .88 10 .16 13 0918-0065 



SCP 8803 Arlington Blend ★★
Gray, Tan, Taupe, Brown Blend
Ref Emi SRI A.Ref A.SRI CRRC:
.13 .89 10 .13 10 0918-0071 

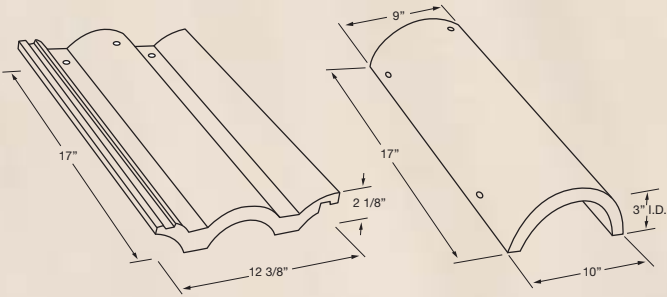


SCP 8804 Hershey Blend ★★
Reddish Brown, Taupe, Dark Brown Blend
Ref Emi SRI A.Ref A.SRI CRRC:
.12 .89 8 .14 11 0918-0078 

Malibu

88 Tiles per 100 sq ft with 3" headlap

903 Aprox installed weight field tile per 100 sq ft



See our complementary accessories on page 32-35



Malibu
2522 Terracotta Flashed



★
2118 Terracotta Gold – Color Bonded*
Terracotta, Gold Flashed
Ref Emi SRI A.Ref A.Emi A.SRI CRRC: LEED†
.35 .76 32 .38 .88 42 0918-0002



★
2124 Hilo Sunset – Color Bonded*
Burnt Orange, Brown Flashed



★
2233 Cayenne – Color Bonded*
Red Slurry over Red Through Color
Ref Emi SRI A.Ref A.Emi A.SRI CRRC: LEED†
.30 .91 32 .34 .90 37 0918-0023



★
2520 Weathered Terracotta Flashed
Light Terracotta, Black, Red Streaks
Ref Emi SRI A.Ref A.SRI CRRC:
.19 .93 19 .19 19 0918-0038



★
2522 Terracotta Flashed
Terracotta, Black Streaks
Ref Emi SRI A.Ref A.SRI CRRC:
.19 .93 19 .19 19 0918-0033



★
2526 Valencia
Red Orange, Brown Streaks
Ref Emi SRI A.Ref A.SRI CRRC:
.19 .89 17 .19 17 0918-0053



★
2549 Santa Paula
Tan, Cream, Brown Streaks
Ref Emi SRI A.Ref A.SRI CRRC:
.20 .89 18 .20 18 0918-0049



★
2555 Alhambra
Terracotta, Yellow Streaks
Ref Emi SRI A.Ref A.SRI CRRC:
.22 .89 21 .21 20 0918-0054



★
2578 Ramona
Clay Red, Maroon Streaks
Ref Emi SRI A.Ref A.SRI CRRC:
.15 .93 14 .17 17 0918-0034



★
2581 Canyon Brown
Dark Brown, Black Streaks
Ref Emi SRI A.Ref A.SRI CRRC:
.13 .94 12 .15 15 0918-0043



★
2602 Concord Blend
Charcoal, Tan Blend



★
2605 San Benito Blend
Terracotta, Light Brown Blend
Ref Emi SRI A.Ref A.SRI CRRC:
.20 .92 20 .20 20 0918-0031

Malibu



2606 Vallejo Range ★
Dark Purple Range
 Ref Emi SRI A.Ref A.SRI CRRC: 0918-0048
 .15 .92 14 .17 16



2615 Weathered Terracotta Range ★
Terracotta Range
 Ref Emi SRI A.Ref A.Emi A.SRI CRRC: 0918-0015
 .23 .87 21 .25 .88 24



2636 Piedmont Blend ★★
Terracotta, Maroon, Brown Blend
 Ref Emi SRI A.Ref A.SRI CRRC: 0918-0066
 .18 .90 16 .19 18



2645 Sunrise Blend ★
Terracotta, Brown Blend
 Ref Emi SRI A.Ref A.SRI CRRC: 0918-0030
 .15 .93 14 .17 17



2646 Sunset Blend ★
Medium Terracotta, Brown Blend
 Ref Emi SRI A.Ref A.SRI CRRC: 0918-0042
 .16 .94 16 .17 17



2680 Los Padres Blend ★
Terracotta, Tan, Gray Blend
 Ref Emi SRI A.Ref A.Emi A.SRI CRRC: 0918-0013
 .22 .91 22 .24 .91 25



2684 San Raphael Blend ★
Purple, Tan Blend
 Ref Emi SRI A.Ref A.SRI CRRC: 0918-0068
 .16 .91 14 .17 16



2687 Brown Gray Range ★
Brown, Gray Range
 Ref Emi SRI A.Ref A.SRI CRRC: 0918-0028
 .13 .91 11 .15 13



2689 Brown Range ★
Brown Range
 Ref Emi SRI A.Ref A.SRI CRRC: 0918-0026
 .15 .92 14 .17 16



2690 Pewter Bronze Blend ★
Pewter Gray, Gold Blend
 Ref Emi SRI A.Ref A.SRI CRRC: 0918-0060
 .15 .90 13 .17 15



2697 Slate Range ★
Charcoal Range
 Ref Emi SRI A.Ref A.SRI CRRC: 0918-0046
 .13 .94 12 .15 15




2698 Kona Red Range ★
Red Range
 Ref Emi SRI A.Ref A.Emi A.SRI CRRC: 0918-0018
 .25 .83 22 .27 .90 28



2701 San Sevaine Blend ★★
Medium Brown, Cream, Terracotta Blend, Dark Brown Streak
 Ref Emi SRI A.Ref A.SRI CRRC:
 .18 .88 15 .19 17 0918-0069 



2702 Calabar Blend ★
Medium Brown, Rust Blend, Yellow Streaks
 Ref Emi SRI A.Ref A.SRI CRRC:
 .18 .88 15 .19 17 0918-0063 



2723 Adobe Blend ★
Maroon, Terracotta, Gray, Gold Blend
 Ref Emi SRI A.Ref A.SRI CRRC:
 .17 .92 16 .18 17 0918-0045 

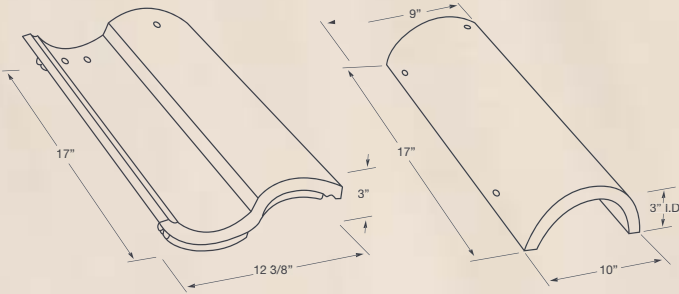


2773 Walnut Creek Blend ★★
Gray, Tan, Orange, Dark Brown Blend
 Ref Emi SRI A.Ref A.SRI CRRC:
 .20 .94 21 .20 21 0918-0037 

Capistrano

88.5 Tiles per 100 sq ft
with 3" headlap

900 Aprox installed weight
field tile per 100 sq ft



See our complementary accessories on page 32-35





★
3118 Terracotta Gold – Color Bonded*
Terracotta, Gold Flashed
LEED†
 Ref Emi SRI A.Ref A.Emi A.SRI CRRC: 0918-0002
 .35 .76 32 .38 .88 42



★
3124 Hilo Sunset – Color Bonded*
Burnt Orange, Brown Flashed
LEED†



★
3233 Cayenne – Color Bonded*
Red Slurry over Red Through Color
LEED†
 Ref Emi SRI A.Ref A.Emi A.SRI CRRC: 0918-0023
 .30 .91 32 .34 .90 37



★
3520 Weathered Terracotta Flashed
Light Terracotta, Black, Red Streaks
 Ref Emi SRI A.Ref A.SRI CRRC: 0918-0038
 .19 .93 19 .19 19



★
3522 Terracotta Flashed
Terracotta, Black Streaks
 Ref Emi SRI A.Ref A.SRI CRRC: 0918-0033
 .19 .93 19 .19 19



★
3526 Valencia
Red Orange, Brown Streaks
 Ref Emi SRI A.Ref A.SRI CRRC: 0918-0053
 .19 .89 17 .19 17



★
3549 Santa Paula
Tan, Cream, Brown Streaks
 Ref Emi SRI A.Ref A.SRI CRRC: 0918-0049
 .20 .89 18 .20 18



★
3555 Alhambra
Terracotta, Yellow Streaks
 Ref Emi SRI A.Ref A.SRI CRRC: 0918-0054
 .22 .89 21 .21 20



★
3578 Ramona
Clay Red, Maroon Streaks
 Ref Emi SRI A.Ref A.SRI CRRC: 0918-0034
 .15 .93 14 .17 17



★
3581 Canyon Brown
Dark Brown, Black Streaks
 Ref Emi SRI A.Ref A.SRI CRRC: 0918-0043
 .13 .94 12 .15 15



★
3602 Concord Blend
Charcoal, Tan Blend



★
3605 San Benito Blend
Terracotta, Light Brown Blend
 Ref Emi SRI A.Ref A.SRI CRRC: 0918-0031
 .20 .92 20 .20 20

Notice: To ensure your satisfaction with your tile choice, we request you obtain a current tile sample; or request addresses in your area from your local Design Center/Eagle Representative.

Capistrano




*Capistrano
3646 Sunset Blend*



3606 Vallejo Range ★
Dark Purple Range
Ref Emi SRI A.Ref A.SRI CRRC: 
.15 .92 14 .17 16 0918-0048



3615 Weathered Terracotta Range ★
Terracotta Range
Ref Emi SRI A.Ref A.Emi A.SRI CRRC: 
.23 .87 21 .25 .88 24 0918-0015



3636 Piedmont Blend ★★
Terracotta, Maroon, Brown Blend
Ref Emi SRI A.Ref A.SRI CRRC: 
.18 .90 16 .19 18 0918-0066



3645 Sunrise Blend ★
Terracotta, Brown Blend
Ref Emi SRI A.Ref A.SRI CRRC: 
.15 .93 14 .17 17 0918-0030



3646 Sunset Blend ★
Medium Terracotta, Brown Blend
Ref Emi SRI A.Ref A.SRI CRRC: 
.16 .94 16 .17 17 0918-0042



3680 Los Padres Blend ★
Terracotta, Tan, Gray Blend
Ref Emi SRI A.Ref A.Emi A.SRI CRRC: 
.22 .91 22 .24 .91 25 0918-0013



★
3684 San Raphael Blend
Purple, Tan Blend
 Ref Emi SRI A.Ref A.SRI CRRC: 
 .16 .91 14 .17 16 0918-0068



★
3687 Brown Gray Range
Brown, Gray Range
 Ref Emi SRI A.Ref A.SRI CRRC: 
 .13 .91 11 .15 13 0918-0028



★
3689 Brown Range
Brown Range
 Ref Emi SRI A.Ref A.SRI CRRC: 
 .15 .92 14 .17 16 0918-0026



★
3690 Pewter Bronze Blend
Pewter Gray, Gold Blend
 Ref Emi SRI A.Ref A.SRI CRRC: 
 .15 .90 13 .17 15 0918-0060



★
3697 Slate Range
Charcoal Range
 Ref Emi SRI A.Ref A.SRI CRRC: 
 .13 .94 12 .15 15 0918-0046



★
3698 Kona Red Range
Red Range
 Ref Emi SRI A.Ref A.Emi A.SRI CRRC:  
 .25 .83 22 .27 .90 28 0918-0018



★★
3701 San Sevaime Blend
Medium Brown, Cream, Terracotta Blend, Dark Brown Streak
 Ref Emi SRI A.Ref A.SRI CRRC: 
 .18 .88 15 .19 17 0918-0069



★
3702 Calabar Blend
Medium Brown, Rust Blend, Yellow Streaks
 Ref Emi SRI A.Ref A.SRI CRRC: 
 .18 .88 15 .19 17 0918-0063





★
3723 Adobe Blend
Maroon, Terracotta, Gray, Gold Blend
 Ref Emi SRI A.Ref A.SRI CRRC: 
 .17 .92 16 .18 17 0918-0045



★★
3773 Walnut Creek Blend
Gray, Tan, Orange, Dark Brown Blend
 Ref Emi SRI A.Ref A.SRI CRRC: 
 .20 .94 21 .20 21 0918-0037



★★★
3794 Coronado
Tan, Charcoal, Cream Streaks
 Ref Emi SRI A.Ref A.Emi A.SRI CRRC:  
 .27 .94 30 .29 .88 30 0918-0016

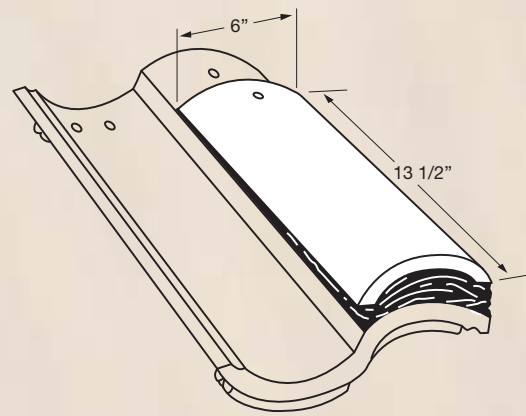
Give Your Roof A Boost.

It's easy to create the beauty of an authentic mortar-boosted clay roof with our Boosted Cap tiles. These individual Boosted Cap pieces are available in a wide range of colors intended to create a rustic look. Simply select from any of our Boosted Cap colors to complement your Capistrano tiles. For best results, mix your Boosted Cap and base Capistrano colors—as this will add to the authenticity of your roof.

Choose a Boosted Cap accessory piece to go with your base Capistrano field tile. Then decide how much “Boost” to use and how you would like your mortar to look. Some prefer a neat treatment, while others like an authentic look. No matter your choice, your new Boosted Eagle roof will be beautiful for years to come.

% used on roof	Aprox. installed weight field tile per 100 sq ft
10% Application	990
20% Application	1080
30% Application	1170

Each Boosted Capistrano cap weighs approx 4.8 lbs.



Boosting The Eave



Placing The Mortar



Close-Up of Boosted Eave

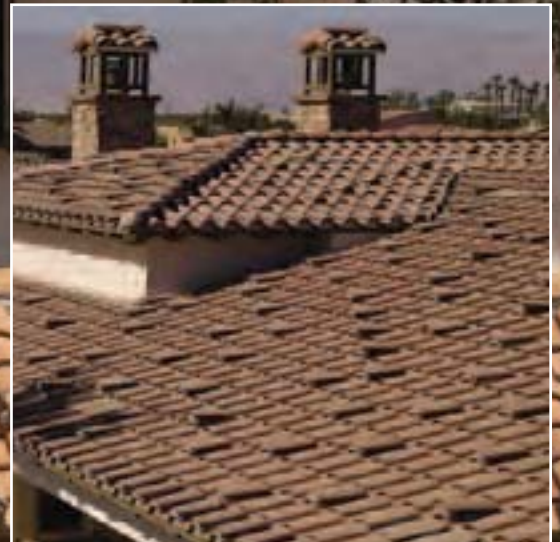


Boosted Wind Clips Included (Bronze & Stainless Steel)

**Boosted Capistrano
3520/9520 Weathered Terracotta Flashed
with 30% Boost**



10% Boost



20% Boost

Boosted Cap Pieces are available in the following colors:

- 9402 Santa Cruz Blend
- 9403 Santa Barbara Blend
- 9520 Weathered Terracotta Flashed
- 9645 Sunrise Blend
- 9687 Brown Gray Range
- 9708 Del Oro Blend
- 9709 El Morado Blend
- 9710 Ladera Blend
- 9822 San Buenaventura

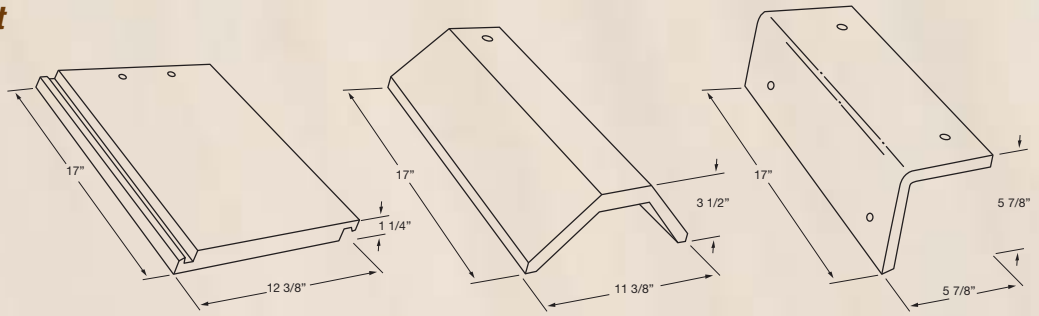


30% Boost

Bel Air

88.5 Tiles per 100 sq ft
with 3" headlap

970 Aprox installed
weight field tile
per 100 sq ft



See our complementary accessories on page 32-35



Bel Air
4602 Concord Blend



★
4118 Terracotta Gold – Color Bonded*
Terracotta, Gold Flashed
LEED†
 Ref Emi SRI **A.Ref A.Emi A.SRI** CRRC:
 .35 .76 32 **.38 .88 42** 0918-0002



★
4258 Ridgecrest – Color Bonded*
Tan, Cream Flashed
LEED†
 Ref Emi SRI **A.Ref A.Emi A.SRI** CRRC:
 .44 .93 51 **.47 .85 53** 0918-0008



★
4502 Arcadia
Brown, Black Streaks
 Ref Emi SRI A.Ref A.SRI CRRC:
 .13 .94 12 .15 15 0918-0043



★
4503 Sierra Madre
Charcoal, Black Streaks



★
4511 Flintridge Gray
Natural Gray, Black Streaks
 Ref Emi SRI **A.Ref A.Emi A.SRI** CRRC:
 .20 .88 18 **.21 .90 20** 0918-0003



★
4520 Weathered Terracotta Flashed
Light Terracotta, Black, Red Streaks
 Ref Emi SRI A.Ref A.SRI CRRC:
 .19 .93 19 .19 19 0918-0038



★
4549 Santa Paula
Tan, Cream, Brown Streaks
 Ref Emi SRI A.Ref A.SRI CRRC:
 .20 .89 18 .20 18 0918-0049



★
4602 Concord Blend
Charcoal, Tan Blend



★
4606 Vallejo Range
Dark Purple Range
 Ref Emi SRI A.Ref A.SRI CRRC:
 .15 .92 14 .17 16 0918-0048



★
4615 Weathered Terracotta Range
Terracotta Range
 Ref Emi SRI **A.Ref A.Emi A.SRI** CRRC:
 .23 .87 21 **.25 .88 24** 0918-0015



★★
4634 Kings Canyon Blend
Tan, Dark Green, Red, Black Blend
 Ref Emi SRI A.Ref A.SRI CRRC:
 .13 .94 12 .15 15 0918-0044



★★
4636 Piedmont Blend
Terracotta, Maroon, Brown Blend
 Ref Emi SRI A.Ref A.SRI CRRC:
 .18 .90 16 .19 18 0918-0066

Bel Air



4645 Sunrise Blend ★
Terracotta, Brown Blend
 Ref Emi SRI A.Ref A.SRI CRRC: 0918-0030
 .15 .93 14 .17 17



4646 Sunset Blend ★
Medium Terracotta, Brown Blend
 Ref Emi SRI A.Ref A.SRI CRRC: 0918-0042
 .16 .94 16 .17 17



4671 Village Blend ★
Peachy Tan, Taupe, Brown, Dark Brown Blend
 Ref Emi SRI A.Ref A.SRI CRRC: 0918-0039
 .17 .93 17 .18 18



4680 Los Padres Blend ★
Terracotta, Tan, Gray Blend
 Ref Emi SRI A.Ref A.Emi A.SRI CRRC: 0918-0013
 .22 .91 22 .24 .91 25



4684 San Raphael Blend ★
Purple, Tan Blend
 Ref Emi SRI A.Ref A.SRI CRRC: 0918-0068
 .16 .91 14 .17 16



4687 Brown Gray Range ★
Brown, Gray Range
 Ref Emi SRI A.Ref A.SRI CRRC: 0918-0028
 .13 .91 11 .15 13



**Bel Air – Staggered
 4671 Village Blend**



★
 4689 Brown Range
Brown Range
 Ref Emi SRI A.Ref A.SRI CRRC: 0918-0026
 .15 .92 14 .17 16 




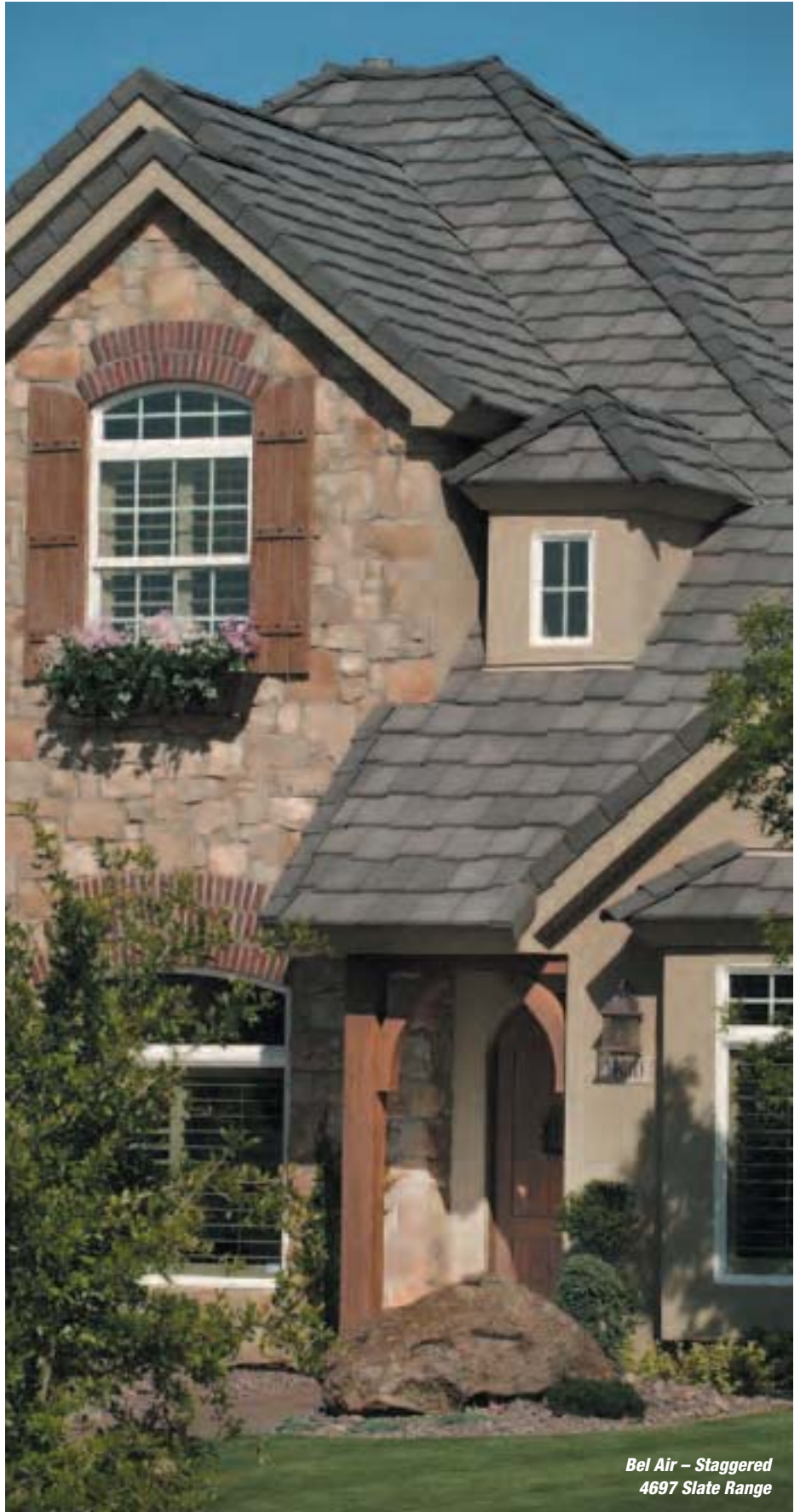
★
 4690 Pewter Bronze Blend
Pewter Gray, Gold Blend
 Ref Emi SRI A.Ref A.SRI CRRC: 0918-0060
 .15 .90 13 .17 15 



★
 4697 Slate Range
Charcoal Range
 Ref Emi SRI A.Ref A.SRI CRRC: 0918-0046
 .13 .94 12 .15 15 



★★★★ LEED+
 4794 Coronado
Tan, Charcoal, Cream Streaks
 Ref Emi SRI A.Ref A.Emi A.SRI CRRC: 0918-0016
 .27 .94 30 .29 .88 30  

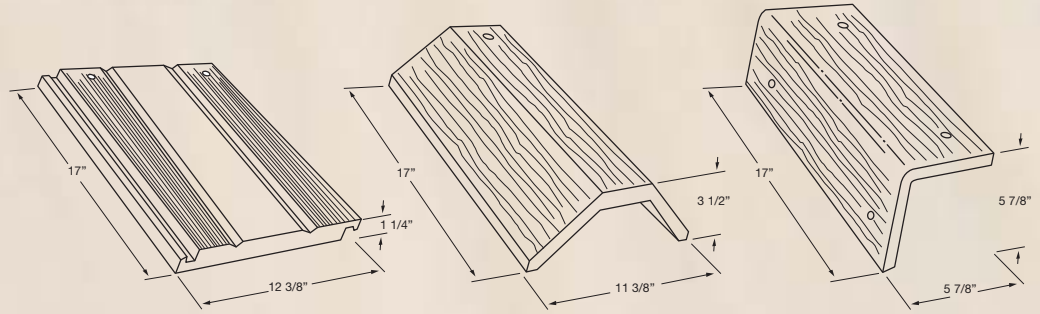


*Bel Air – Staggered
 4697 Slate Range*

Golden Eagle

88.5 Tiles per 100 sq ft with 3" headlap

970 Aprox installed weight field tile per 100 sq ft



See our complementary accessories on page 32-35



Golden Eagle
1687 Brown Gray Range



1634 Kings Canyon Blend
Tan, Dark Green, Red, Black Blend
Ref Emi SRI A.Ref A.SRI
.13 .94 12 .15 15

CRRC:
0918-0044



1687 Brown Gray Range
Brown, Gray Range
Ref Emi SRI A.Ref A.SRI
.13 .91 11 .15 13

CRRC:
0918-0028



1699 Charcoal Range
Gray Range
Ref Emi SRI A.Ref A.SRI
.13 .94 12 .15 15

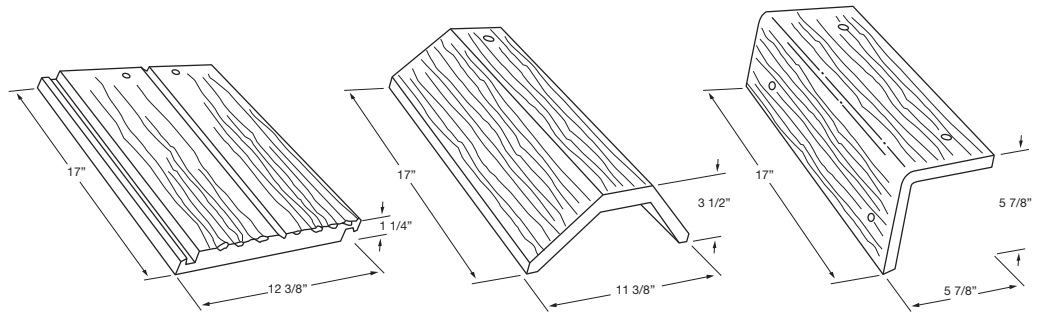
CRRC:
0918-0046



Double Eagle Ponderosa

88.5 Tiles per 100 sq ft with 3" headlap

970 Aprox installed weight field tile per 100 sq ft



See our complementary accessories on page 32-35



5087 Brown Gray Range
Brown, Gray Range
Ref Emi SRI A.Ref A.SRI
.13 .91 11 .15 13

CRRC:
0918-0028



5099 Charcoal Range
Gray Range
Ref Emi SRI A.Ref A.SRI
.13 .94 12 .15 15

CRRC:
0918-0046

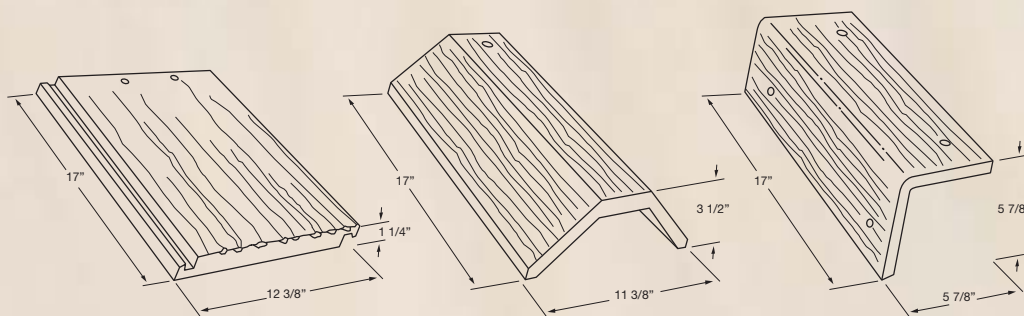


Double Eagle Ponderosa
5099 Charcoal Range

Ponderosa

88.5 Tiles per 100 sq ft
with 3" headlap

970 Aprox installed
weight field tile
per 100 sq ft



See our complementary accessories on page 32-35

Ponderosa – Staggered
5502 Arcadia





5501 Oakwood ★
Brown, Brown Streaks



5502 Arcadia ★
Brown, Black Streaks
Ref Emi SRI A.Ref A.SRI CRRC:
.13 .94 12 .15 15 0918-0043



5503 Sierra Madre ★
Charcoal, Black Streaks



Ponderosa – Staggered
5503 Sierra Madre



5504 New Cedar ★
Tan, Brown Streaks



5511 Flintridge Gray ★
Natural Gray, Black Streaks



5531 Oro Valley ★★★
Tan, Terracotta Streaks
Ref Emi SRI A.Ref A.SRI CRRC:
.15 .91 13 .17 15 0918-0059



Ponderosa



5552 Canyon Gray
Fawn Gray, Purple, Gray Streaks
Ref Emi SRI A.Ref A.SRI
.13 .90 10 .15 13

CRRG:
0918-0073

★★★



5557 Live Oak
Rosy Brown, Dark Brown Streaks
Ref Emi SRI A.Ref A.SRI
.15 .90 13 .17 15

CRRG:
0918-0061

★



5582 Fawn Gray Flashed
Gray, Yellow Streaks

★



5594 Charcoal
Dark Charcoal

★



5602 Concord Blend
Charcoal, Tan Blend

★



5634 Kings Canyon Blend
Tan, Dark Green, Red, Black Blend
Ref Emi SRI A.Ref A.SRI
.13 .94 12 .15 15

CRRG:
0918-0044

★★



Ponderosa
5594 Charcoal



Ponderosa
5645 Sunrise Blend



5645 Sunrise Blend ★
Terracotta, Brown Blend
Ref Emi SRI A.Ref A.SRI CRRC:
.15 .93 14 .17 17 0918-0030 



5646 Sunset Blend ★
Medium Terracotta, Brown Blend




5687 Brown Gray Range ★
Brown, Gray Range
Ref Emi SRI A.Ref A.SRI CRRC:
.13 .91 11 .15 13 0918-0028 




5689 Brown Range ★
Brown Range



5690 Pewter Bronze Blend ★
Pewter Gray, Gold Blend
Ref Emi SRI A.Ref A.SRI CRRC:
.15 .90 13 .17 15 0918-0060 



5699 Charcoal Range ★
Gray Range
Ref Emi SRI A.Ref A.SRI CRRC:
.13 .94 12 .15 15 0918-0046 

Higher Performance. Lower Energy Costs.



3 Ridge & Hip
Air is exhausted at the ridge

2 Deck
Air travels under the tile

1 Eave
Air enters at the eave

Save Money With Eagle's Energy Saving Roof.

Your roof can do more than just beautify the structure it protects. When you use these simple Eagle Roofing Accessories, you will increase the performance, longevity and efficiency of your new roof.

The Energy Saving Roof combines the inherent insulating properties of our concrete tile with an installation method utilizing several Eagle accessory products to install the roof in an energy efficient manner.

This installation creates an air current that draws cool air in at the eave level (1), flowing under the tile roof (2), driving out the hot air at the ridge (3).

This ventilation of the roof deck helps to reduce heat transfer into your attic and thus into your home. The result means less work for the air conditioner, less expenditure of energy and lower electrical bills.

The 4 Main Components Of Eagle's Energy Saving Roof Are:

1



Ventilated Eave Closures

In addition to elevating the eave course and helping to prevent bird nesting, the Ventilated Bird Stop design allows for air to enter the space between the tile and the roof deck. Available in all profiles.

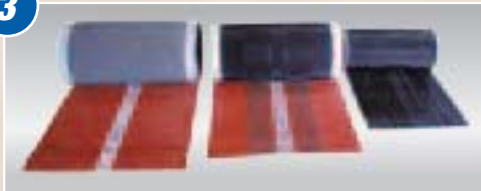
2



Scalped Battens

Use battens when installing tile to raise it off the roof deck, which improves air flow and allows water to drain. This keeps moisture from accumulating on your roof deck, which can damage your underlayment.

3



Flex Vent Adds ventilation at the ridge of your roof so hot air can escape from the roof deck.

Flex Seal This weather block helps prevent water intrusion at the ridge.

Flex Flash Ideal for hard to manage areas.

3



Ridge Riser

This will be used to increase ventilation at the ridge of your roof, and can be used with any tile profile.

Research Studies Show the Energy Saving Roof Helps Prevent Heat Transfer

According to Dr. Miller of Oak Ridge National Laboratories, a 1995 study by Beal and Chandra essentially showed:

- A 48% reduction in heat transfer into the attic with tile roofs installed using ASV (above sheathing ventilation like the Energy Saving Roof) when compared to a direct nailed asphalt shingle roof.
- A 39% reduction of heat transfer into the attic in comparing concrete tile and asphalt shingles when both products were installed in a direct deck application.

This means that an Eagle Energy Saving Roof can reduce heat transfer into the attic by almost 50% when compared to an asphalt shingle roof. The result is a significant reduction in the amount of energy required to cool a structure, and that results in lower electricity bills for the owner.

Tile Roof Accessories

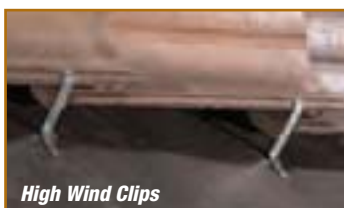
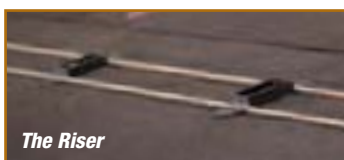
1 Eave



Bird Stop/Raised Ventilated Eave Riser – Approx. 10' Per Section*

Capistrano - Bird Stop - Red	7000 E
Capistrano - Bird Stop - Black	7010 E
Capistrano - Bird Stop - White (SPECIAL ORDER ONLY)	7005 E
Capistrano - Bird Stop - Ventilated - Red	7500
Capistrano - Bird Stop - Ventilated - Black	7510
Capistrano - Bird Stop - Raised Ventilated - Red	7501
Capistrano - Bird Stop - Raised Ventilated - Black	7511
Malibu - Bird Stop - Red	7020 E
Malibu - Bird Stop - Black	7030 E
Malibu - Bird Stop - Ventilated - Red	7520
Malibu - Bird Stop - Ventilated - Black	7530
Malibu - Bird Stop - Raised Ventilated - Red	7521
Malibu - Bird Stop - Raised Ventilated - Black	7531
Flat - Eave Riser - Black, 1 1/2"	7080 E
Flat - Eave Riser - Brown, 1 1/2"	7060 E
Flat - Eave Riser - White, 1 1/2" (SPECIAL ORDER ONLY)	7083 E
Flat - Eave Riser - Ventilated - Brown	7560
Flat - Eave Riser - Ventilated - Black	7590
Flat - Eave Riser - Raised Ventilated - Brown, 2"x2"	7561
Flat - Eave Riser - Raised Ventilated - Black, 2"x2"	7591

2 Deck



Raised Battens – 1 Square Per Bundle

Scalloped Battens	8617
The Riser, 12" on Center - Polypropylene	8612

High Wind Clips, Galvanized – Approx. 500 Per Box

Capistrano, 3 3/8"	6036
Malibu, 2 7/8"	6034
Flat, 2 1/4"	6037
Flat-Fascia, 3/4"	6033

Boosted Capistrano Wire Clips – Approx. 100 Per Bag**

Boosted Capistrano Wire Clips - Stainless Steel	6966
Boosted Capistrano Wire Clips - Bronze	6960

See our Boosted Capistrano Tiles on Page 20-21

Metal Rake Trim, Galvanized – Approx. 10' Per Section

Standard Rake - Black	7092 E
Standard Rake - Brown	7089 E
Raised Rake, 1 1/2" - Black	7087 E
Raised Rake, 1 1/2" - Brown	7086 E

3 Ridge & Hip



Flex Vent



Flex Seal



Flex Flash



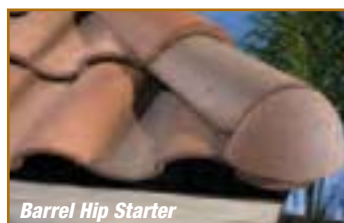
Weather Block



Ridge Riser



Flat Hip Starter



Barrel Hip Starter

Flex Vent – 25' Per Roll

Flat - Flex Vent, 9" Width - Terracotta	8109
Flat - Flex Vent, 9" Width - Black	8110
Flat/Malibu - Flex Vent, 11" Width - Terracotta	8135
Flat/Malibu - Flex Vent, 11" Width - Black	8136
Malibu - Flex Vent, 13" Width - Terracotta	8113
Malibu - Flex Vent, 13" Width - Black	8114
Capistrano - Flex Vent, 15" Width - Terracotta	8115
Capistrano - Flex Vent, 15" Width - Black	8116

Flex Seal – 25' Per Roll

Flat - Flex Seal, 9" Width - Terracotta	8119
Flat - Flex Seal, 9" Width - Black	8120
Flat / Malibu - Flex Seal, 11" Width - Terracotta	8121
Flat / Malibu - Flex Seal, 11" Width - Black	8122
Malibu - Flex Seal, 13" Width - Terracotta	8123
Malibu - Flex Seal, 13" Width - Black	8124
Capistrano - Flex Seal, 15" Width - Terracotta	8125
Capistrano - Flex Seal, 15" Width - Black	8126

Flex Flash – 15' Per Roll

Flat - Flex Flash, 9" Width - Terracotta	8127
Flat - Flex Flash, 9" Width - Black	8128
Flat / Malibu - Flex Flash, 11" Width - Terracotta	8111
Flat / Malibu - Flex Flash, 11" Width - Black	8112
Malibu - Flex Flash, 13" Width - Terracotta	8129
Malibu - Flex Flash, 13" Width - Black	8130
Capistrano - Flex Flash, 15 3/4" Width - Terracotta	8153
Capistrano - Flex Flash, 15 3/4" Width - Black	8154
Capistrano - Flex Flash, 17 3/4" Width - Terracotta	8117
Capistrano - Flex Flash, 17 3/4" Width - Black	8118

Weatherblock – Approx. 10' per section

Capistrano - Black	7012 E
Capistrano - Red	7013 E

Hip & Ridge – Sold Individually

Ridge Riser - Galvanized	8201
--------------------------	------

Concrete Hip Starters – Packaged 2 per box***

Flat - Purple	7006
Flat / Flat Brushed - Tan	7063 / 7063B
Flat / Flat Brushed - Mocha	7069 / 7069B
Flat / Flat Brushed / Slurry**** - Terracotta	7071 / 7071B / 4218S
Flat / Flat Brushed - Charcoal	7072 / 7072B
Flat / Flat Brushed - Natural Gray	7073 / 7073B
Flat / Flat Brushed - Red	7074 / 7074B
Flat / Flat Brushed - Green	7067 / 7067B
Barrel - Purple	7007
Barrel - Tan	7062
Barrel - Mocha	7768
Barrel - Terracotta / Terracotta Slurry****	7076 / 7118S
Barrel - Charcoal	7077
Barrel - Natural Gray	7078
Barrel - Red	7079
Barrel - Green	7767

***Availability is subject to change. Errors or omissions may have occurred. Please verify with customer service.
****Color bonded/slurry tiles not recommended in locales subject to repeated freeze-thaw cycles.

Eagle Roofing Products. Your Company Of Choice.

When you choose Eagle, you're choosing American-made quality, customer-centric service, and innovative products that advance the roofing products industry while treading lightly on the planet.

Eagle Roofing Products is a Division of Burlingame Industries, a family-owned, privately held company based in California. In addition to our original roof tile manufacturing facility in Rialto, California—the world's largest—we operate facilities in Phoenix, Arizona; Stockton, California; and Sumterville, Florida; to serve local customers with experienced local teams. These sophisticated, high volume manufacturing plants ensure timely availability of high quality products, and they help us remain knowledgeable of regional trends and needs.



Eagle Green

We take our commitment to being environmentally friendly seriously, which is evident in our Eagle Green initiative. We lead all other concrete tile manufacturers with our recycling and re-use activities:

- We make a concerted effort to reduce haul-off from all of our plants when purchasing the most energy-efficient and environmentally safe equipment we can find.
- Rejected tile is crushed and re-introduced into the manufacturing process.
- Trash that cannot be recycled is compacted to reduce landfill deposits.
- Wood tile pallets are repaired and re-used whenever possible.
- Synthetic oils are used on machinery when possible due to their long life-span.
- Engine oil and filters from plant equipment are recycled.
- All Eagle tile sealers are water-based.

The Eagle Way

We have grown over the years due to a philosophy that revolves around growing personal relationships. This starts with our people, and it is reflected in our relationships with our customers and our business partners. Having earned a reputation as the company of choice, we listen to our customers and react quickly to satisfy their needs. All Eagle employees are customer service representatives regardless of their job titles. From our people in the field, to our Order and Shipping departments, all the way to our Tile-Makers, each person performs with the singular goal of customer satisfaction.

Eagle's long experience in the roofing tile industry and dedication to prompt personal response to our customers' needs have resulted in a well-deserved reputation for quality and service throughout the construction community.

At Eagle, Innovation Comes In Many Choices

Our product development teams never stop thinking about—or creating—what's next in roofing products. All of our products are designed to deliver exceptional value, performance and aesthetics.

Our Cool Roof and Energy Saving Roof systems are setting the standard for energy efficiency. And our Solar Roof leads the way in unmatched beauty and effectiveness.

Another recent example of Eagle's innovation is our Artisan Series. This concrete tile is made with a special process that creates random streaks in beautiful accent colors so that no two tiles look the same. The result is a rustic and distinctive appearance that will dramatically enhance any style of roof.

Of course, we also offer the latest in standard weight and lightweight concrete tile, in a myriad of colors from which to choose. As the foundation of our product offering, our concrete tile is renowned for its durability and beauty.

Eagle is proud to be owned, operated and manufactured in the USA.

Eagle Solar Roof

With the potential for substantial federal tax credits and state rebates, there's never been a better time to use your roof to reduce your energy expenses. Homes and buildings equipped with solar systems can appraise for significantly more than the cost of their investment. The Eagle Solar Roof—it's a safe, quiet, beautiful and environmentally responsible way to lower energy costs.



Saving You Money Every Month

- Significantly reduces monthly energy bill.
- Get credit from your local utility for power your home produces.
- 30% Federal tax credit is available for qualifying building owners.
- Adds significant resale value to the home.
- Protect yourself from utility cost increases.
- Rest assured in your low maintenance, state-of-the-art system.

A Durable, Reliable Solar Choice

- Most advanced photovoltaic solution available.
- Environmentally responsible; significantly and positively impacts your energy and resource use.
- Provides quiet, safe and reliable power generation.

“A solar electric system increases home value by \$20,000 for each \$1,000 in annual reduced operating costs, according to the Appraisal Institute. That is to say, if a solar system can reduce the electric bill by \$1,000 per year, the home is worth about \$20,000 more in increased appraisable value.

A solar electric system compares very favorably with other home improvements in percentage of cost recovered. Often, a solar system can recover much more than 100% of its cost and this percentage actually increases over time as electric rates rise.”

Source: Andrew J. Black, Why Is A Solar Electric Home Worth More?

For more information about Eagle's Solar Roof, please contact your local Eagle representative or email us at: sales@eaglesolar.com

Eagle Design Centers

Eagle understands a beautiful roof is one of the most important architectural elements of a well-designed home. Eagle's regional Design Centers ensure trad/design professionals and homeowners have the support they need to make the best choices in roof color, texture, style and quality.

A Visit To An Eagle Design Center Includes:

- A place to meet with knowledgeable representatives who make the tile selection process easy with helpful information on Eagle products, supporting components and installation.
- An opportunity to preview a wide range of product samples in a variety of the most popular profiles and colors.
- A source for obtaining address lists of locally installed Eagle products so you can view them installed on a home.
- A resource for acquiring brochures and architectural binders; as well as assisting with technical questions.

At Eagle, we understand what you need to make one of the most vital decisions for a home's exterior and look forward to being of service to you. Visit your nearest Eagle Design Center at a location listed below.

Northern California

9001 Foothills Blvd., Suite 120
Roseville, CA 95747
Phone: 916-789-4555
Fax: 916-789-8746

Southern California

17875 Sky Park Circle, Suite F
Irvine, CA 92614
Phone: 949-553-8333
Fax: 949-553-9556

Southern California

2352 N. Locust Ave.
Rialto, CA 92377
Phone: 800-400-3245
Fax: 909-822-5940

Southwest

4608 W. Elwood
Phoenix, AZ 85043
Phone: 602-346-1749
Fax: 602-447-0674

DISCLAIMER—All colors subject to change without notice. Actual tile colors may vary from presentation in online and printed materials. Slight variations in color or flashing may occur during manufacturing. Before making a final selection, be sure to obtain current tile samples and view current roof installations.



Helpful Tips

A tile roof is one of the best ways to protect and beautify your home or building, and has one of the lowest lifecycle costs of any roofing material.

- Choose a reliable and qualified tile roofing contractor who will ensure your new tile roof is installed properly and takes advantage of our Energy Saving Roof enhancements.
- If you live in a region prone to fire, an Eagle tile roof may provide a reduction in your insurance premiums.
- Our Slurry/Color-Bonded tiles are not recommended in areas that are subject to repeated freeze-thaw cycles. Each of these colors is noted throughout the brochure for your convenience.
- If you choose one of our blends or colorful tiles, make sure your installer blends your roof properly to avoid concentrations of color (often referred to as checker boarding or hot spots).

To ensure your new tile roof is installed properly, Eagle can provide you with qualified roofing contractors in your area. Please contact us through our website or at any of our Design Centers.

APPROVALS – CC-ES ESR 1900: City of Los Angeles Research Report # RR 25021.

FIRE RESISTANCE – Both standard weight EAGLE and Eaglelite® tile installed over solid sheathing are used as Class A Roof Coverings: IBC-1505.2 & IRC R902.1. EAGLE tiles easily exceed the resistance requirements for burning brands and spread of flame listed in A.S.T.M. Class A fire test criteria.

COLD WEATHER RESISTANCE – EAGLE tile products surpass the freeze-thaw test requirements of all known building code development agencies. Color-bonded/slurry coated tiles are not recommended in regions subject to repeated freeze-thaw cycles.

INSTALLATION – EAGLE's installation recommendation ICC-ES ESR 1900 and the Tile Roof Institute's Moderate Climate Region guides are available on our website, eagleroofing.com, or visit: tileroofing.org or icc-es.org.

WARRANTY – Limited lifetime product warranty available. Note: EAGLE warrants the performance of tiles only. Workmanship and accessory materials must be warranted by others.

EFFLORESCENCE – Temporary light patterning may appear on darker tiles. This is caused by efflorescence and occurs naturally as seen on sidewalks, and brick walls when alkaline deposits gravitate to surfaces exposed to moisture. The surface of every EAGLE tile has been treated to minimize efflorescence.



Design Centers

Northern California

9001 Foothills Blvd., Suite 120
Roseville, CA 95747
Phone: 916-789-4555
Fax: 916-789-8746

Southern California

17875 Sky Park Circle, Suite F
Irvine, CA 92614
Phone: 949-553-8333
Fax: 949-553-9556

Southern California

2352 N. Locust Ave.
Rialto, CA 92377
Phone: 800-400-3245
Fax: 909-822-5940

Southwest

4608 W. Elwood
Phoenix, AZ 85043
Phone: 602-346-1749
Fax: 602-447-0674

Southern Florida

3100 NW Boca Raton Blvd., Suite 401
Boca Raton, FL 33431
Phone: 561-347-8180
Fax: 561-347-8181

Northern Florida

402 Northlake Blvd., Suite 1028
Altamonte Springs, FL 32701
Phone: 407-691-7100
Fax: 407-691-5117

Northwest Florida

13921 Icot Blvd., Suite 704
Clearwater, FL 33760
Phone: 727-531-2266
Fax: 727-531-7711



USA MADE



USA OWNED



*Manufacturing
and Stocking Yards*

Northern California

4555 S. McKinley
Stockton, CA 95206
Phone: 800-998-3245
Fax: 209-234-4366

Southern California

2352 N. Locust Ave.
Rialto, CA 92377
Phone: 800-300-3245
Fax: 909-854-7181

Southwest

4602 W. Elwood
Phoenix, AZ 85043
Phone: 800-346-5260
Fax: 602-442-8841

Florida

1575 E. C R 470
Sumterville, FL 33585
Phone: 877-300-3245
Fax: 877-300-3248

South Florida Stocking Yard

1801 SW 42nd Way
Deerfield Beach, FL 33442
Phone: 877-300-3245



**Estate - American Heirloom
SHE 8714 Esmont Blend**



Corporate Offices

3546 N. Riverside Ave.
Rialto, CA 92377
Phone: 909-822-6000

www.eagleroofing.com